

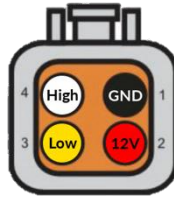
Thank you for purchasing the Temperature Monitor Cabled. The following guide is aimed at providing an overview of the typical install process for both a single sensor as well as for a complete set.

### 1. Electrical Installation

The sensor will come with a DTM04-4P connector. The mating connector is DTM06-4S

DTM04-4P (as seen from behind)

- Pin 1 - GND
- Pin 2 - 12V
- Pin 3 - CAN Low
- Pin 4 - CAN High

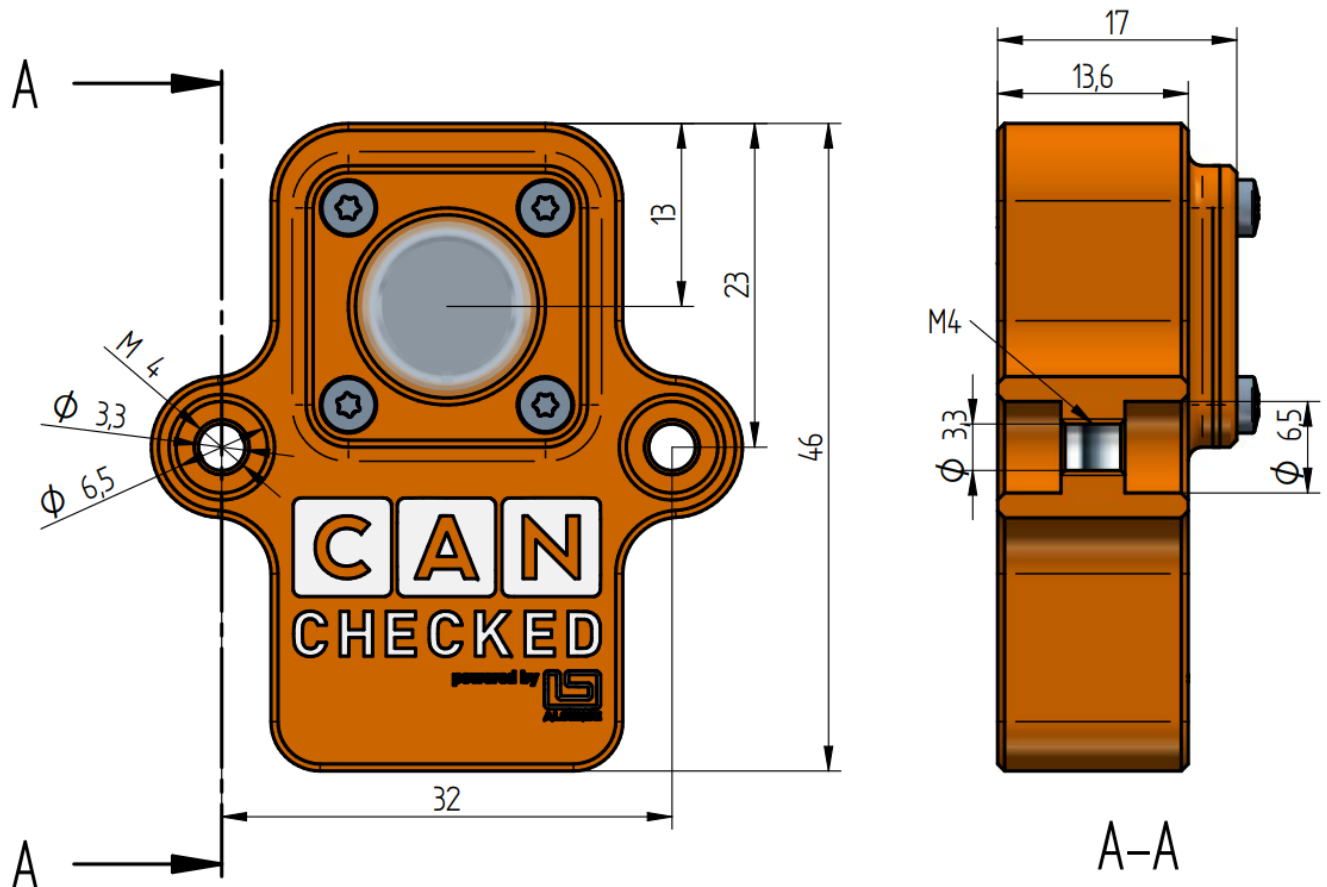


### 2. Support

Please make sure to check the downloads section of our support page as it provides the product's datasheet and configuration files for the most common CAN dashboards/loggers.

#### Downloads:

<http://www.canchecked.de/tmc04>





### Temperature Monitor Cabled Quickstart Guide

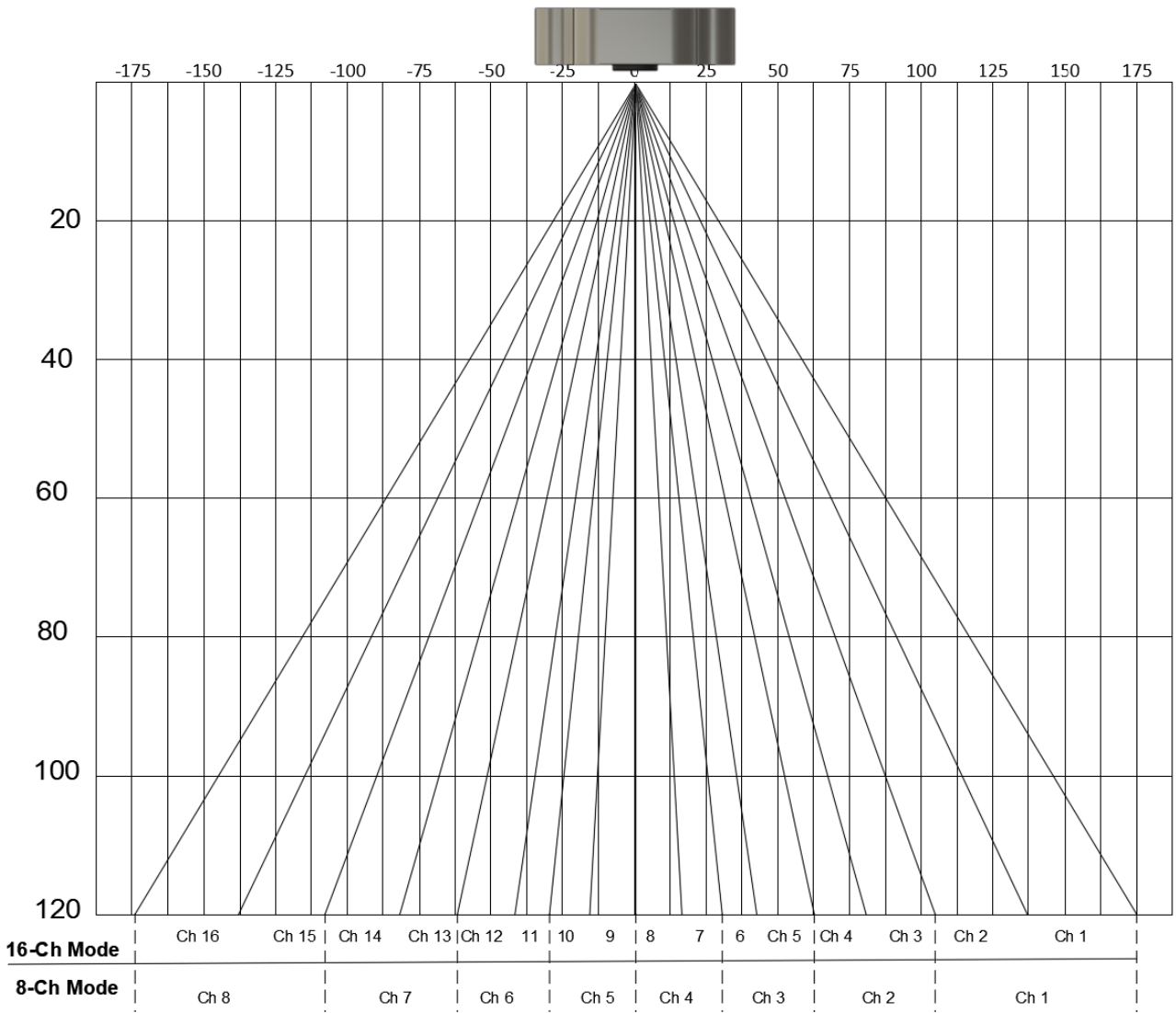


Figure 3 - Visual Representation of channel assignments (measures in millimeters)