



# Quickstart Guide MFD28

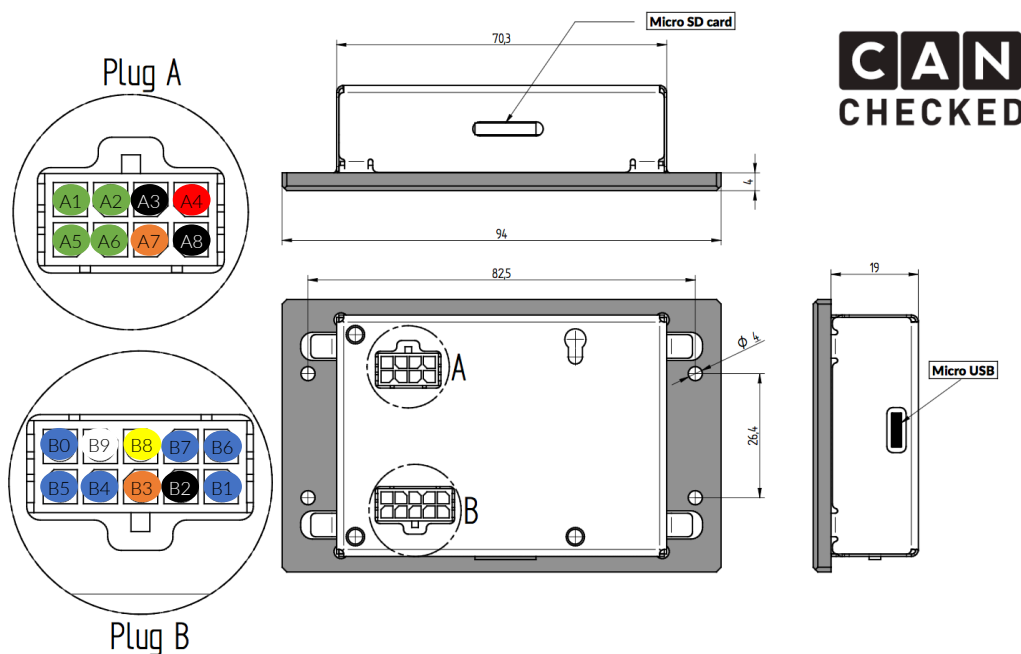
## Provided accessories

- Power cable
- Can bus cable (can high, can low)
- Four fastening screws
- MicroSD card (installed)
- MicroSD adapter to SD
- Diffuse display foil

## More information

More information on the display and other products and accessories you can find online at:

[www.canchecked.de](http://www.canchecked.de)  
[www.canchecked.de/mfd28/](http://www.canchecked.de/mfd28/)



PLUG	A1	A2	A3	A4	A5	A6	A7	A8
A	AIN1	AIN2	GND	12V	AIN3	AIN4	5V	GND

*\* future application*

PLUG	B1	B2	B3	B4	B5	B6	B7	B8	B9	B0
B	TX	GND	5V	*	TX2*	RX	SHIFT	CAN L	CAN H	RX2*

## Installation

When installing the display, you need to pay attention to a neat cabling. The power cable needs to be fused with 5A. The measurements for the mounting hole and the screw holes can be found in the upper drawing.

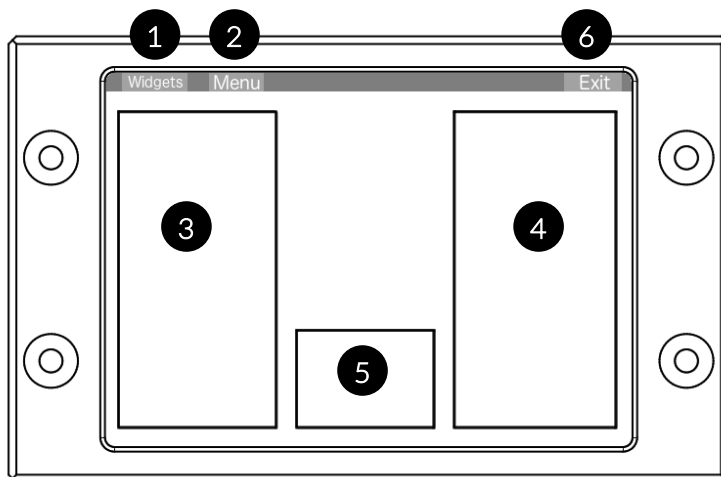
In addition, only the can bus cables (high/low) needs to be connected.

## Implementation

After the start-up, the splash screen appears and after 5 seconds or tap on the screen you will get forwarded to the first view.

The ten predefined views give you a rough guidance of what is possible to display. By a tap on the screen, you can stop the display and you will see the following view:

### Touch areas on the screen



- 1) Setup current widgets
- 2) Menu for setup
- 3) View back (current view -1)
- 4) View forward (current view +1)
- 5) Backlight adjustment
- 6) Back to dataview

### Optional accessories:

- 1) Shift light
- 2) Haldex control
- 3) Serial adapter for some special ECUs (e.g. VEMS)
- 4) Car specific bezels (replace the four fastening screws)

On questions regarding accessories or functionality please get in contact with us via our homepage ([www.canchecked.de](http://www.canchecked.de)) or via email ([info@canchecked.de](mailto:info@canchecked.de)).